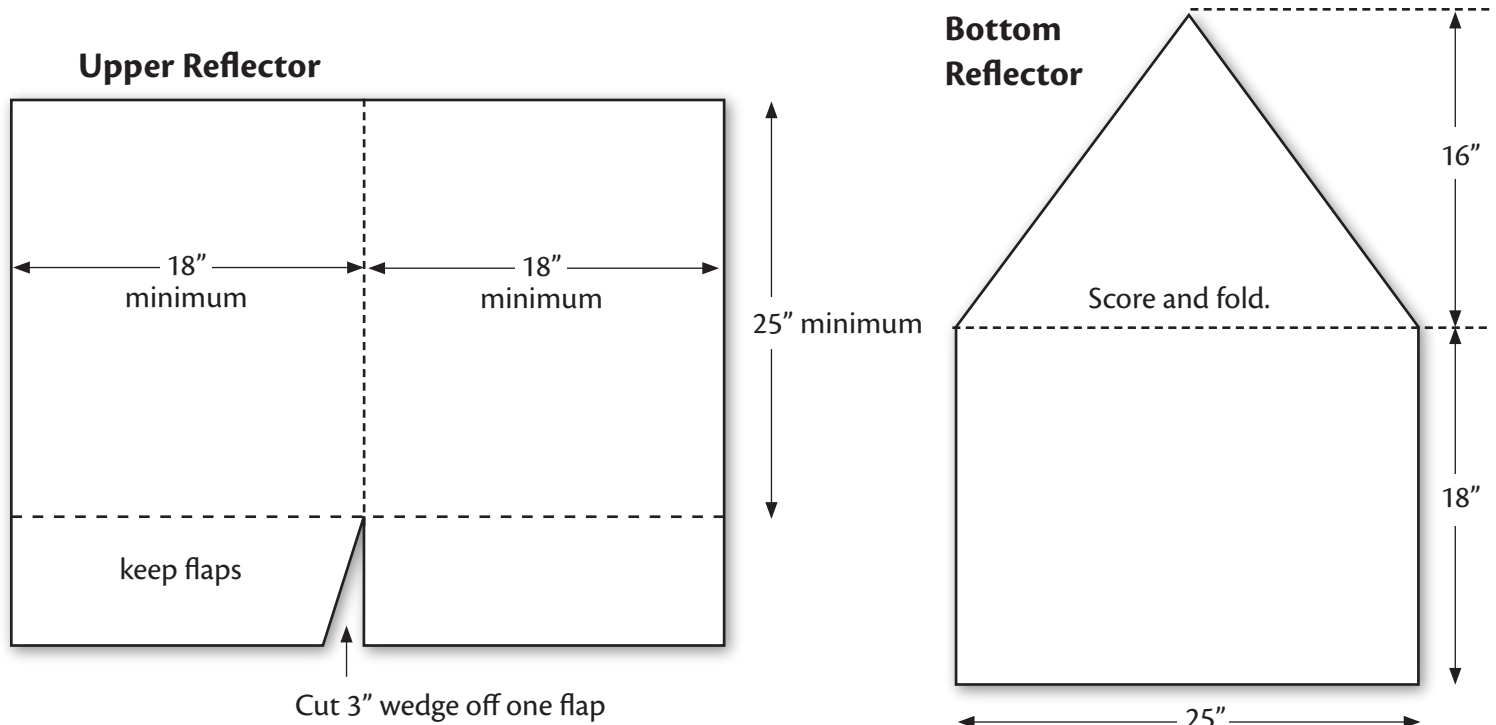
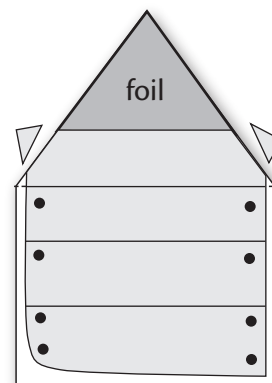
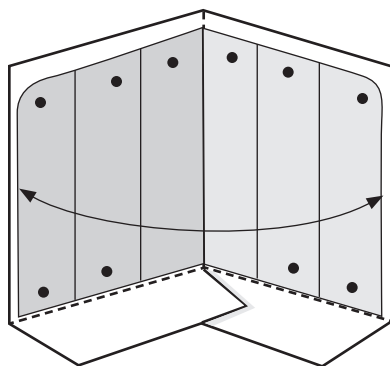


Build Your Own Panel Solar Cooker



YOU WILL NEED:

- corrugated cardboard
 - a) 36 x 32 inches
 - b) 25 x 34 inches
- 10-panel accordion reflective auto windowshade
- brad fasteners
- matte knife or Xacto blade
- scissors
- measuring tape
- aluminum foil
- pencil
- white glue



DIRECTIONS

1. Cut and score cardboard as shown.
2. Cut 10-panel windowshade into a 6-panel piece and a 4-panel piece.
3. Line up the middle fold of the 6-panel piece with the upper reflector fold. Punch holes and apply fasteners per dots in diagram.
4. Line up the third fold of the 4-panel piece with the fold on the bottom reflector. Cover exposed point with foil and glue in place. Attach windowshade with fasteners per dots in diagram. Trim off corners.
5. To set up, insert the point of the bottom reflector into the fold of the upper reflector, sitting on the flaps. Adjust sides of upper reflector for a snug fit. The flap of the bottom reflector gets propped up to enclose your cooking pot.

TO COOK

YOU WILL NEED:

- large plastic roasting bags
- trivet
- black enamel pot
- a sunny day

Best cooking hours:
11am–2pm